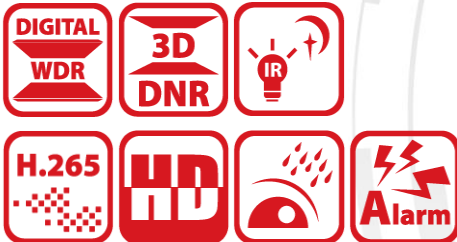


## iDS-MCD202-B 2 MP Network Portable IR Speed Dome



### Introduction

iDS-MCD202-B is a high-definition integrated portable IR speed dome embedded with audio encoding/decoding, video encoding/decoding, 3G/4G, Wi-Fi, and satellite positioning. It integrates vehicle arming, etc., widely applied in temporary operation scenes.

### Key Feature

#### Video

- 1/2.8" progressive scan CMOS; 1920 × 1080/1280 × 720 resolution
- H.265/H.264/MJPEG video compression
- 30× optical zoom, 16× digital zoom
- HLC/BLC/3D DNR/Defog/EIS
- Up to 100 m IR distance

#### Storage

Built-in dual TF card slots, up to 256 GB for each TF card

#### Communication Module

One 4G module and two extended 4G modules; 802.11 b/g/n/ac Wi-Fi; GPS positioning module; Bluetooth 4.0

#### Usability

- Quick installation with the magnetic base and the tripod bracket
- Wi-Fi AP, which allows you to connect the mobile phone to the camera directly and control the camera conveniently
- Pluggable battery for continuous work for 9 hours
- Replaceable battery for sustainable work
- 360° endless pan and -20° to 90° (auto-flip) tilt movement range for PTZ
- Embedded screen for status display, e.g. battery, GPS, 3G/4G, record status, storage capacity, Bluetooth, platform access, Wi-Fi, and smart algorithm mode
- Supports accessing via IE browser and client, and remote operation
- Supports importing customized audio, linking with smart analysis alarm



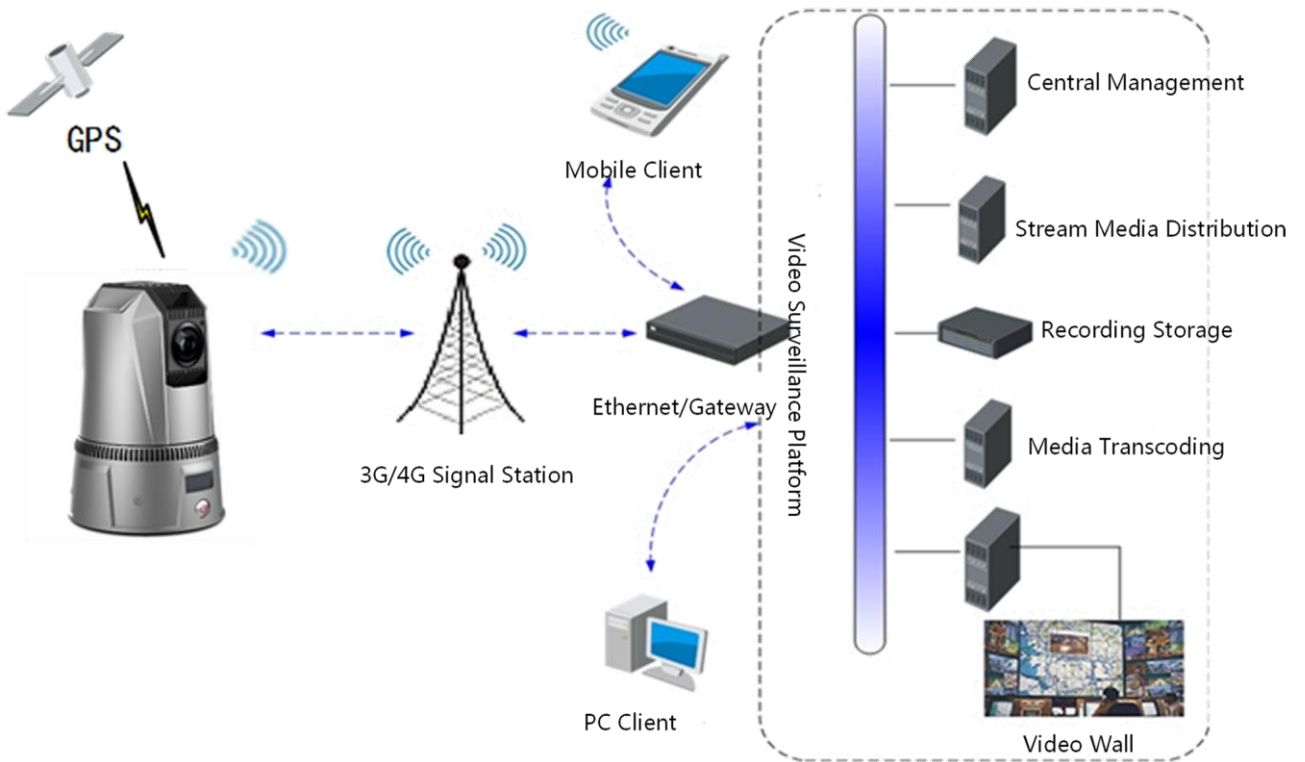
**Smart Function**

Vehicle detection and capture

**Available Model**

iDS-MCD202-B/30X/N/GLE

**Typical Application**



## Specification

<b>Camera Module</b>	
Image Sensor	1/2.8" progressive scan CMOS
Min. Illumination	Color: 0.05 Lux@(F1.6, AGC ON) B/W: 0.01 Lux@(F1.6, AGC ON) 0 Lux with IR
S/N Ratio	> 56 dB
TF Card	Built-in dual TF card slots, up to 256 GB per card
Video Standard	PAL/NTSC
White Balance	Auto
Shutter Time	1/1 s to 1/30,000 s
Day & Night	IR cut filter
Digital Zoom	16×
Focus Mode	Auto/Semi-automatic/Manual
WDR	Digital WDR
<b>Lens</b>	
Focal Length	4.5 mm to 135 mm, 30× optical
Zoom Speed	Approx. 4 s (optical lens, wide-tele)
FOV	Horizontal: 60.5° Vertical: 36°
Minimum Photographic Distance	10 mm to 1500 mm (wide-tele)
Aperture Range	F1.6 to F4.4
<b>IR</b>	
IR Distance	Up to 100 m (body outline is available)
IR Intensity	Automatically adjustable, depending on the zoom ratio
<b>Compression Standard</b>	
Video Compression	H.265/MJPEG/H.264
H.264 Type	Baseline profile/Main profile/High profile
H.265 Type	Main profile
Video Bitrate	32 Kbps to 16 Mbps
Audio Compression	G.711a, G.711u, G.722.1
<b>Image</b>	
Resolution	Main stream: 50 Hz: 25 fps (1920 × 1080), 60 Hz: 30 fps (1920 × 1080) Sub-stream: 50 Hz: 25 fps (1920 × 1080), 60 Hz: 30 fps (1920 × 1080)
Image Enhancement	HLC/BLC/3D DNR/Defog/EIS
<b>PTZ</b>	
Movement Range (Pan)	360° endless
Movement Range (Tilt)	-20° to 90° (Auto-flip)
Arming Location	256 arming locations 8 scan patrols

<b>Network</b>	
Communication	FDD LTE (Band 1, Band 3, Band 7, Band 8, and Band 20), WCDMA/HSDPA/HSUPA/HSPA+ (Band 1, Band 8), GSM/GPRS/EDGE (900 MHz/1800 MHz), Double 3G/4G modules (customized)
Wi-Fi	802.11 b/g/n/ac, 2.4 GHz/5 GHz, supporting Wi-Fi AP remote live view
GPS System	Supports GPS/BDS/mixed positioning
Protocols	EHome 2.0, ISUP, ISAPI, SDK, ONVIF
<b>Interface</b>	
Network Interface	1 RJ45 10 M/100 M Ethernet Interface
Bluetooth	BT 4.0
Audio Input	Dual mic
Audio Output	Loudspeaker
<b>Smart Function</b>	
Vehicle Arming	Supports checkpoint. Supports recognition of vehicle license plate number, color, type, and brand.
<b>External Interface</b>	
10-Core Main Aviation Plug	RS-232, RJ45, power supply
9-Core Secondary Aviation Plug (optional)	RS-485, 1 LINE IN/LINE OUT, 5 V output, 1 alarm input/output
<b>General</b>	
Power	12 VDC
Consumption	10 W in typical when 4G, Wi-Fi, Bluetooth, and PTZ rotating are off
Battery Capacity	13400 mAh
Working Environment	Working Temperature: -10 °C to 55 °C (14 °F to 131 °F) Working Humidity: ≤ 95% (no condensation)
Protection Level	IP66 standard; TVS 2000 V lightning protection, surge protection, and voltage transient protection
Package Dimension	340 × 235 × 330 mm (13.4" × 9.3" × 13")
Net Weight	Approx. 3.7 kg (8.16 lb)
Rough Weight	Approx. 5.9 kg (13 lb)
Accessory	1 × AC power cable 1 × adapter 1 × battery 1 × safety rope 1 × screwdriver 1 × 10-core main aviation cable

**Note:**

- Battery life is affected by environment and device configuration. In general condition, the battery capacity will reduce after one-year usage.
- About 9-hour working time in standby status when 4G, IR, Wi-Fi, PTZ, and storage are disabled.

**Accessory (Optional)**

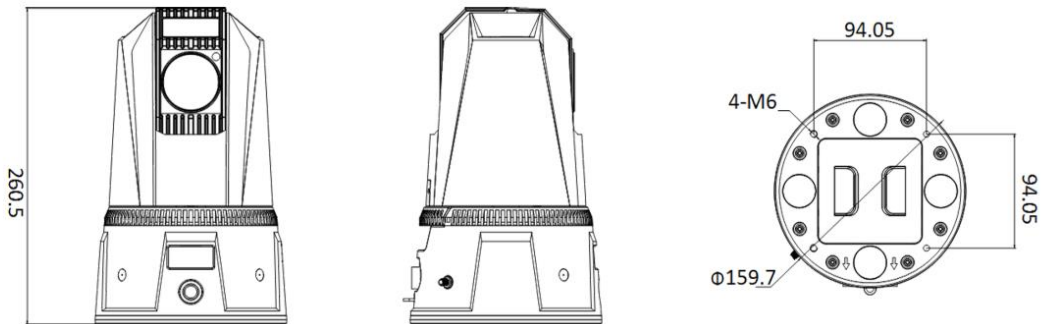


Battery Charger  
DS-MH1491



Tripod  
DS-MH1691-H

## Dimension



Unit: mm

Distributed by



## HIKVISION®

### Headquarters

No.555 Qianmo Road, Binjiang District,  
Hangzhou 310051, China  
T +86-571-8807-5998  
overseasbusiness@hikvision.com

**Hikvision USA**  
T +1-909-895-0400  
sales.usa@hikvision.com

**Hikvision Australia**  
T +61-2-8599-4233  
salesau@hikvision.com

**Hikvision India**  
T +91-22-28469900  
sales@pramahikvision.com

**Hikvision Canada**  
T +1-866-200-6690  
sales.canada@hikvision.com

**Hikvision Thailand**  
T +662-275-9949  
sales.thailand@hikvision.com

**Hikvision Europe**  
T +31-23-5542770  
sales.eu@hikvision.com

**Hikvision Italy**  
T +39-0438-6902  
info.it@hikvision.com

**Hikvision Brazil**  
T +55 11 3318-0050  
Latam.support@hikvision.com

**Hikvision Turkey**  
T +90 (216)521 7070- 7074  
sales.tr@hikvision.com

**Hikvision Malaysia**  
T +601-7652-2413  
sales.my@hikvision.com

**Hikvision UK & Ireland**  
T +01628-902140  
sales.uk@hikvision.com

**Hikvision South Africa**  
Tel: +27 (10) 0351172  
sale.africa@hikvision.com

**Hikvision France**  
T +33(0)1-85-330-450  
info.fr@hikvision.com

**Hikvision Kazakhstan**  
T +7-727-9730667  
nikia.panfilov@hikvision.ru

**Hikvision Vietnam**  
T +84-974270888  
sales.vt@hikvision.com

**Hikvision UAE**  
T +971-4-4432090  
salesme@hikvision.com

**Hikvision Singapore**  
T +65-6684-4718  
sg@hikvision.com

**Hikvision Spain**  
T +34-91-737-16-55  
info.es@hikvision.com

**Hikvision Tashkent**  
T +99-87-1238-9438  
uzb@hikvision.ru

**Hikvision Hong Kong**  
T +852-2151-1761  
info.hk@hikvision.com

**Hikvision Russia**  
T +7-495-669-67-99  
sateru@hikvision.com

**Hikvision Korea**  
T +82-(0)31-731-8817  
sales.korea@hikvision.com

**Hikvision Poland**  
T +48-22-460-01-50  
info.pl@hikvision.com

**Hikvision Indonesia**  
T +62-21-2933759  
Sales.Indonesia@hikvision.com

**Hikvision Colombia**  
sales.colombia@hikvision.com