

# 5MP LightHunter Active Deterrence Mini PTZ Camera

IPC-P1E5-AX4PKC



## Key Features

- High quality image with 5MP, 1/2.7" CMOS sensor
- Ultra 265, H.265, H.264, MJPEG
- Intelligent perimeter protection, include cross line, intrusion, enter area, leave area detection
- Based on target classification, smart intrusion prevention significantly reduce false alarm caused by leaves, birds and lights etc., accurately focus on human and, motor vehicle and non-motor vehicle
- LightHunter technology ensures ultra-high image quality in low illumination environment
- 120dB true WDR technology enables clear image in strong light scene
- Built-in Mic & Speaker
- Smart IR, Up to 50 m (164 ft) IR and 10m (33 ft) warm light distance
- Supports 256 G Micro SD card
- IP66 protection
- Support PoE power supply

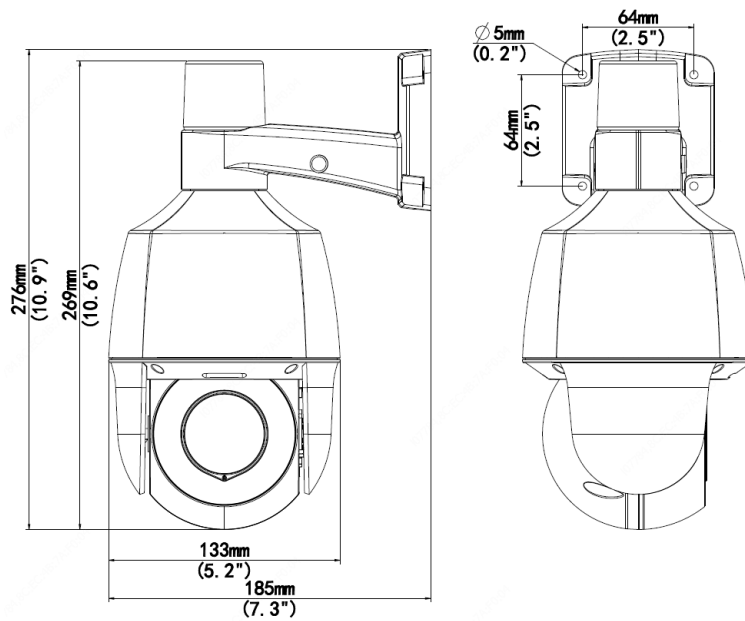
## Specifications

IPC-P1E5-AX4PKC																
<b>Camera</b>																
Sensor	1/2.7" progressive scan, 5.0 megapixel, CMOS															
Lens	2.8~12mm, AF automatic focusing and motorized zoom lens															
DORI Distance	<table border="1"> <thead> <tr> <th>Lens</th> <th>Detect(m)</th> <th>Observe(m)</th> <th>Recognize(m)</th> <th>Identify(m)</th> </tr> </thead> <tbody> <tr> <td>2.8mm</td> <td>63.0</td> <td>25.2</td> <td>12.6</td> <td>6.3</td> </tr> <tr> <td>12mm</td> <td>270.0</td> <td>108.0</td> <td>54.0</td> <td>27.0</td> </tr> </tbody> </table>	Lens	Detect(m)	Observe(m)	Recognize(m)	Identify(m)	2.8mm	63.0	25.2	12.6	6.3	12mm	270.0	108.0	54.0	27.0
	Lens	Detect(m)	Observe(m)	Recognize(m)	Identify(m)											
	2.8mm	63.0	25.2	12.6	6.3											
12mm	270.0	108.0	54.0	27.0												
Angle of View (H)	30.6°~104.1°															
Angle of View (V)	17.4°~54.9°															
Angle of View (O)	34.4°~108.3°															
Shutter	Auto/Manual, shutter time: 1 s ~ 1/100000 s															
Minimum Illumination	Colour: 0.003 lux (F1.6,AGC ON) 0 lux with IR															
Day/Night	IR-cut filter with auto switch (ICR)															
Digital noise reduction	2D/3D DNR															
S/N	>52 dB															
IR Range	UP to 50m (164ft)															
Wavelength	850nm															
IR On/Off Control	Auto/Manual															
Warm Light Range	UP to 10m (33ft)															
WDR	120dB															
<b>Video</b>																
Video Compression	Ultra 265,H.265, H.264, MJPEG															
H.264 code profile	Baseline profile, Main Profile															
Frame Rate	Main Stream: 5MP (2880*1620), Max 30fps; 4MP (2560*1440), Max 25fps;3MP (2304*1296), Max 25fps; 2MP (1920*1080), Max 30fps; Sub Stream: 720P (1280*720), Max 30fps; D1 (720*576), Max 30fps; 640*360, Max 30fps; 2CIF (704*288), Max 30fps; CIF (352*288), Max 30fps; Third Stream: D1 (720*576), Max 30fps; 640*360, Max 30fps; 2CIF (704*288), Max 30fps; CIF (352*288), Max 30fps;															
Video Bit Rate	128 Kbps~16 Mbps															
OSD	Up to 8 OSDs															
Privacy Mask	24 areas, up to 4 areas per scene															
ROI	Up to 8 areas															
Motion Detection	Up to 4 areas															
<b>Image</b>																
White Balance	Auto/Outdoor/Fine Tune/Sodium Lamp/Locked/Auto2															
Digital noise reduction	2D/3D DNR															
Smart IR	Support															
Flip	Normal/Vertical/Horizontal/180°/90°Clockwise/90°Anti-clockwise															
Dewarping	N/A															
HLC	Support															
BLC	Support															

Intelligent	
Smart intrusion Prevention	Cross Line, Intrusion, Enter Area, Leave Area detection, Motion detection
Events	
Basic Detection	Motion detection, Tampering alarm, Audio Detection
General Function	Watermark, IP Address Filtering, Tampering Alarm, Access Policy, ARP Protection, RTSP Authentication, User Authentication
Audio	
Audio Compression	G.711U, G.711A
Two-way Audio	Support
Suppression	Support
Sampling Rate	8 KHZ
Storage	
Edge Storage	Micro SD, up to 256 GB
Network Storage	ANR, NAS(NFS)
Network	
Protocols	IPv4, IGMP, ICMP, ARP, TCP, UDP, DHCP , PPPoE, RTP, RTSP, RTCP, DNS, DDNS, NTP, FTP, UPnP, HTTP, HTTPS, SMTP , 802.1x , SNMP, SSL
Compatible Integration	ONVIF(Profile S, Profile G, Profile T), API
Client	Uniarch Client Uniarch app
Web Browser	Plug-in required live view: IE9+, Chrome 41 and below, Firefox 52 and below
	Plug-in free live view: Chrome 57.0+, Firefox 58.0+, Edge 16+, Safari 11+
Pan & Tilt	
Pan Range	0° ~ 345°
Pan Speed	0.1° /s ~ 50° /s
	Preset speed: 50° /s
Tilt Range	-10~110°
Tilt Speed	0.1° /s ~ 40° /s
	Preset speed: 40° /s
Number of Presets	256
Preset Patrol	16 patrols, up to 64 presets for each patrol
Interface	
Network	1 RJ45 10M/100M Base-TX Ethernet
Built-in Mic	Support
Built-in Speaker	Support
Alarm Light	Support
General	
Power	DC 12V ± 25%, PoE (IEEE802.3 af)
	Power consumption: Max 18 W
Dimensions (∅ x H)	∅ 133mm*269mm (∅ 5.2"x 10.6")
Net Weight	0.87 kg (1.92lb)
Gross Weight	1.13 kg (2.49lb)
Material	Metal + Plastic
Working Environment	-20°C ~ 60°C (-4°F to 140°F), Humidity: ≤95% RH(non-condensing)

Storage Environment	-20°C ~ 60°C (-4°F to 140°F), Humidity: ≤95% RH(non-condensing)
Surge Protection	2KV
Reset Button	Support
Protection	Ingression protection: IP66 Vandal resistant: N/A

## Dimensions



## Accessories

TR-JB07-D-IN



TR-UP06-C-IN



[www.uniview.com/uniarch](http://www.uniview.com/uniarch)

©2021 Zhejiang Uniview Technologies Co., Ltd. All rights reserved.

\*Product specifications and availability are subject to change without notice.