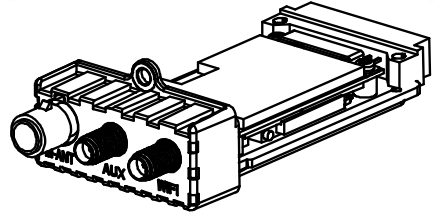


DS-MP1460 Series Mobile Wireless Component



Introduction

The mobile wireless component is a built-in 3G/4G and Wi-Fi module providing flexible data transmission solutions. It can be used in DS-M5504HM-T, DS-MP5504, DS-MP5604, DS-MP5604N, DS-MP7516, DS-MP7608, DS-MP7608HN, and DS-MP7608H mobile video recorders.

Available Model

DS-MP1460/WI58, (supports 5G Wi-Fi)

DS-MP1460/GW, (supports 3G dialing)

DS-MP1460/GW/WI58, (supports 3G dialing and 5G Wi-Fi)

DS-MP1460/GLF, (supports 4G dialing)


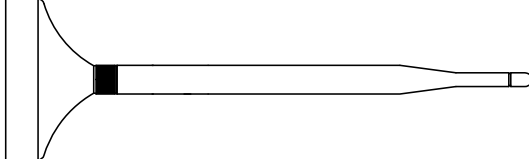
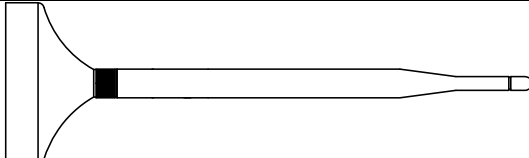
DS-MP1460/GLF/WI58, (supports 4G dialing and 5G Wi-Fi)



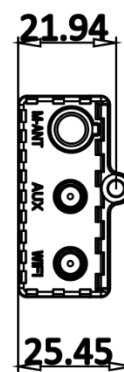
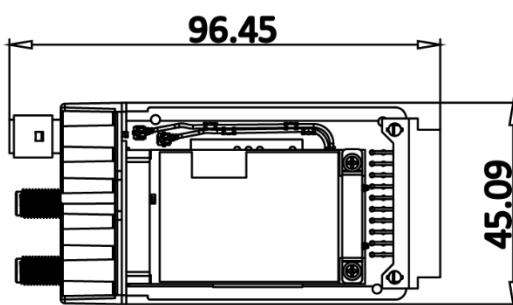
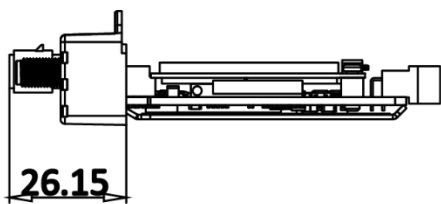
Specification

Model		DS-MP1460
Wireless Network	3G Module (Global)	<ul style="list-style-type: none"> • GW models 1 × 3G card slot, 1 × Rosenberger antenna Bands: WCDMA: B1/B2/B5/B8
	4G Module (Europe, Africa, Asia)	<ul style="list-style-type: none"> • GLF models 1 × 4G card slot, 1 × Rosenberger antenna Bands: FDD LTE: B1/B2/B3/B4/B5/B7/B8/B20 WCDMA: B1/B2/B5/B8
	4G Module (Latin, Australia, Taiwan)	<ul style="list-style-type: none"> • GLF models 1 × 4G card slot, 1 × Rosenberger antenna Bands: FDD LTE: B1/B2/B3/B4/B5/B7/B8/B28 TDD LTE: B40 WCDMA: B1/B2/B5/B8
	Wi-Fi Module	<ul style="list-style-type: none"> • WI58 models 2 × 5G Wi-Fi SMA antenna Standard: IEEE 802.11 a/b/g/n/ac Frequency Range: 2.4 to 2.5 GHz, 5.15 to 5.825 GHz
General	Power Supply	5 VDC
	Consumption	Standby: < 0.1 W Full load: < 5 W
	Working Temperature	-10 °C to +60 °C (+14 °F to +140 °F)
	Working Humidity	10% to 95%
	Dimension (W × D × H)	45 × 96.5 × 25.5 mm (1.77 × 3.8 × 1.0 inch)
	Weight	64 g (0.14 lb)

Packing List

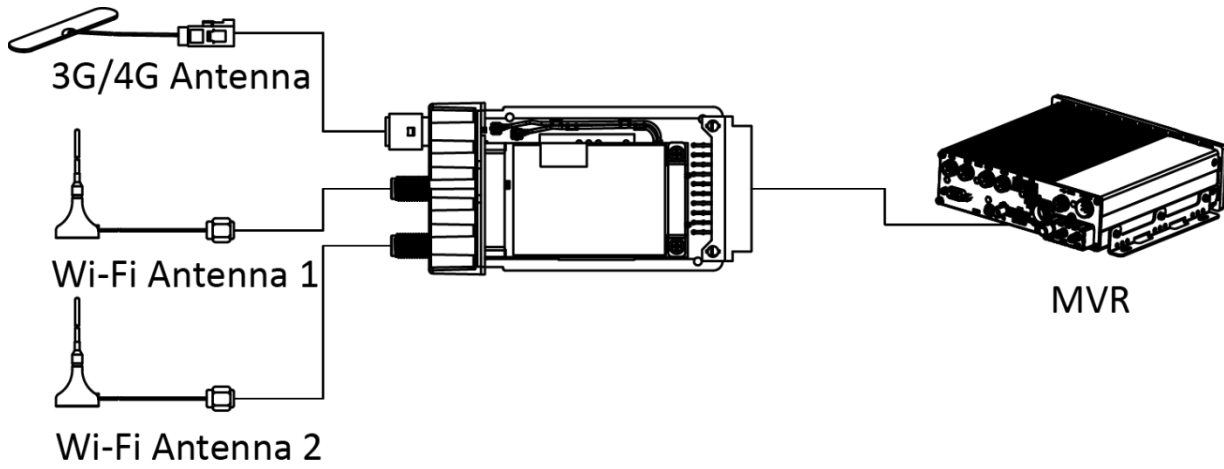
Description	Quantity	Picture	Note
3G/4G antenna	1		For GW/GLF models.
Wi-Fi antenna (2.4G)	1		For WI models.
Wi-Fi antenna (5G)	2		For WI58 models.

Dimension



Unit: mm

Peripheral Connection



CENTRAL SECURITY DISTRIBUTION

An Anixter Company

1300 319 499

csd.com.au