

# DS-KV8113-WME1

## Video Intercom Villa Door Station

**HIKVISION**



### Key Feature

- Standard PoE
- 2 MP HD camera
- Noise suppression and echo cancellation
- Low illumination
- Access control functions
- Tamper-proof
- Configuration remotely via Web
- 2.4 GHz Wi-Fi
- Protection level: IK08

WEEE

2012/19/EU

### Approval

CE-EMC	a. EN 55032:2015 b. EN 61000-3-2:2014 c. EN 61000-3-3:2013 d. EN 50130-4:2011 +A1:2014
CE-LVD	EN 60950-1:2006 + A11:2009 + A1:2010 + A12:2011 + A2:2013
CB	IEC 60950-1:2005 (Second Edition) + Am 1:2009 + Am 2:2013
FCC-SDOC	47 CFR Part 15, Subpart B
C-TICK(EMC)	AS/NZS CISPR 32:2015
UL	UL 60950-1 & CAN/CSA C22.2 No. 60950-1-07, Information Technology Equipment – Safety – Part 1: General Requirements
ROHS	2011/65/EU
REACH	Regulation (EC) No 1907/2006

## Specification

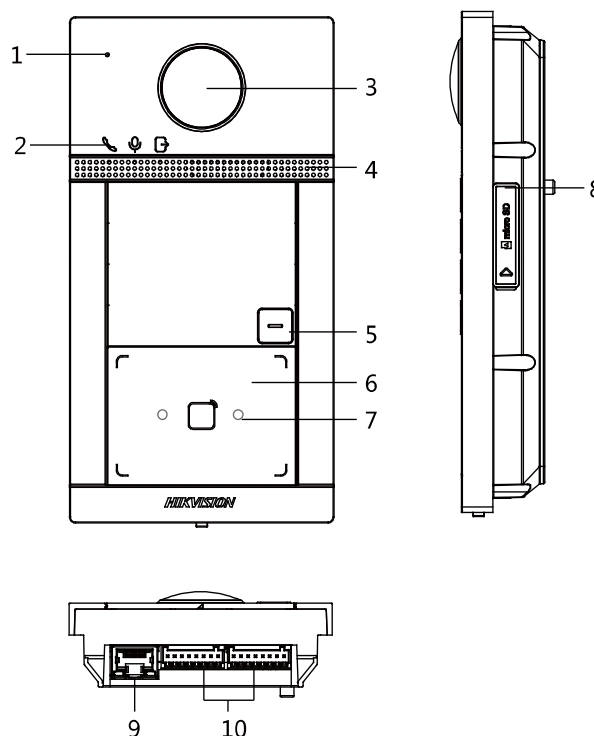
System parameters	
Operation system	Embedded Linux operation system
Operation method	Single-button
Flash	32 M
RAM	256 M
Video Parameters	
Camera	2MP HD camera
Night vision	Low illumination IR supplement mode:3 m
BLC	Support
DNR	Support
WDR	True WDR
Field of view	Horizontal: 129° Vertical: 75°
Video compression standard	H.264
Stream	Main stream: 1080p@30fps, 720p@25fps Sub stream: D1@25fps
Resolution	Main stream: 1920 × 1080p, 720p Sub stream: 704 × 576
Motion detection	Support
Anti-flicker frequency	50 Hz, 60 Hz
Audio parameters	
Audio intercom	Two-way audio communication
Audio input	Built-in omnidirectional microphone
Audio output	Built-in loudspeaker
Audio compression standard	G.711 U
Audio compression Rate	64 Kbps
Audio quality	Noise suppression and echo cancellation
Network parameters	
Wired network	10/100 Mbps Ethernet
Network protocol	TCP/IP, RSTP
Access control parameters	
Reading frequency	13.56 MHz
Card type	Mifare card
Relay	2
Interfaces	
RS-485	1
Wi-Fi	2.4G Wi-Fi
Debugging port	1
TF card	Max to 128 G
Alarm input	4
Grounding	1
Physical button	1
TAMPER switch	1
General	
Protection level	IP65, IK08
Indicator	3

Power supply	IEEE802.3af, standard PoE 12 VDC
Power consumption	< 10 W
Working temperature	-40° C to 53° C(-40° F to 127.4° F)
Working humidity	10% to 95%
Installation	Surface mounting/ Flush mounting
Dimension	174 mm × 91 mm × 29 mm

## Available Model

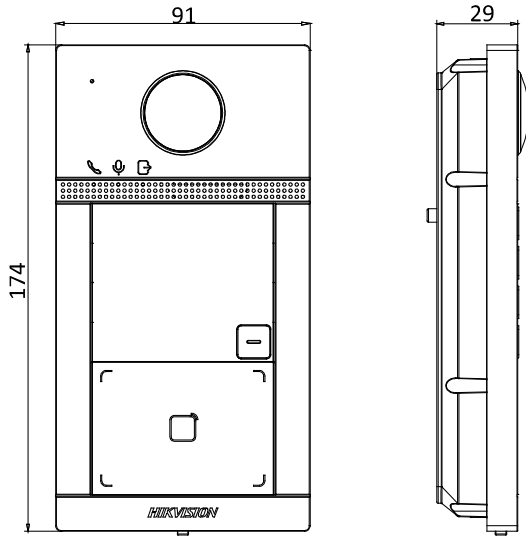
DS-KV8113-WME1

## Appearance and Interfaces



No.	Description	No.	Description
1	Microphone	6	Card Reading Area
2	Indicator	7	IR Light
3	Camera	8	MicroSD Card Slot & Debugging Port
4	Loudspeaker	9	LAN
5	Button	10	Terminals

**Dimension**



**CENTRAL SECURITY DISTRIBUTION**

An Anixter Company

**1300 319 499**

**csd.com.au**