



HIK-KH6310-WL VIDEO INTERCOM INDOOR STATION



Features

Basic Functions

- Audio-visual communication with the door station, master station and other units
- Monitor door stations and external cameras
- High-performance embedded SOC processor
- Wifi for app functionality
- Answering and unlocking via app or client software

Video/Audio Functions

- 7-inch colour FTF LCD with resolution 800 x 480
- Capacitive touch screen and physical buttons
- Noise suppression and echo cancellation
- H.264 video compression

Alarm Functions

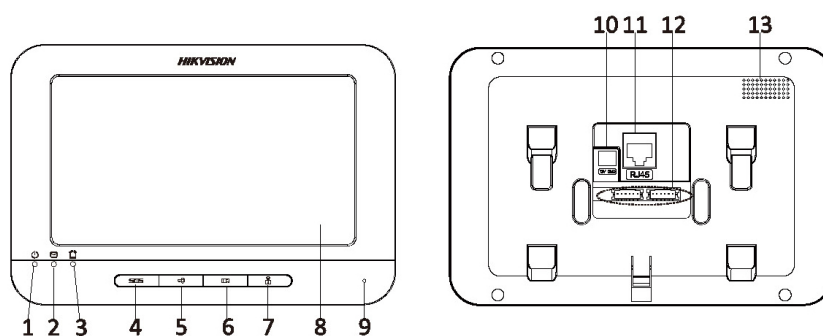
- 2-ch alarm input supported
- Local or system alarms

Additional Features

- Community announcements
- Convenient installation and easy operation
- Panic call

Specifications

Display	
Display Screen	7-Inch Colour TFT LCD
Resolution	800 × 480
Operation Method	Capacitive Touch Screen, Physical Button
Audio	
Audio Input	Build-in Omnidirectional Microphone
Audio Output	Build-in Loudspeaker
Audio Compression Standard	G.711 U
Audio Compression Rate	64 Kbps
Audio Quality	Noise Suppression and Echo Cancellation
Network	
Ethernet	1 RJ-45 10/100 Mbps Ethernet Interface
Wireless	Wi-Fi 802.11b/g/n
Network Protocol	TCP/IP, RTSP
Alarm	
Alarm Input	2-ch Alarm Input
Alarm Output	1 Output
Storage	
Memory	Inbuilt Memory, 200 Images
Other	
Power Supply	Power Over Network or 12 VDC
Consumption	≤10 W
Working Temperature	-10° C to +55° C
Working Humidity	10% - 90%
Dimension (L x W x H)	195.8 mm × 132.8 mm × 17.5 mm
Certification	FCC, IC, CE, C-TICK, ROHS, REACH, WEEE



Index	Description	Index	Description
1	Power Supply Indicator	8	LCD Display Screen
2	Information Indicator	9	Microphone
3	Alarm Indicator	10	Power Supply Interface
4	SOS Key	11	Network Interface
5	Unlock Key	12	Terminals
6	Live View Key	13	Loudspeaker
7	Management Center Key		



CENTRAL SECURITY DISTRIBUTION

1300 319 499
csd.com.au

VIC: Mulgrave, Tullamarine NSW: Northmead, Waterloo ACT: Fyshwick QLD: Loganholme SA: Marlestone WA: Balcatta