

DS-2TV13-10ZI

Thermal Bi-spectrum Advanced Driving Assistance System



Hikvision DS-2TV13-10ZI Thermal Bi-spectrum Advanced Driving Assistance System is a high-performance equipment that improves fighting ability in darkness. It is able to resolve driving problems of transport and fighting vehicles in extreme environment, such as driving in heavy fog, heavy smoke environment, or driving in darkness with no light. The product provides stable use for all day and is becoming the standard equipment for military vehicles.

Key Features

- Leading image processing technology: Adaptive AGC, DDE, 3D DNR, NETD < 40mK(@25 °C,F#=1.0)
- Bi-spectrum image fusion technology
- Lane marking technology
- Adopt Shutterless technology
- 800×480 resolution LCD display
- Support intelligent deicing, IR window replaceable
- Equipped with mounting bracket, easy to install
- IP67 protection level



Specifications

Parameter		Model	DS-2TV13-10ZI
		Thermal Bi-spectrum Advanced Driving Assistance System	
Thermal	Image sensor	Uncooled Focal Plane Arrays	
	Max. Resolution	384 × 288	
	Pixel interval	17μm	
	Response waveband	8μm to 14μm	
	NETD	< 50mk(@25 °C,F#=1.0)	
	Lens (focal length)	10mm	
	MRAD	1.7	
	Field of View	36 °×27 °	
	Min. Focusing Distance	2m	
	F number	1.0	
Frame Rate	50fps		
Optical	Image Sensor	1/3'' Progressive Scan CMOS	
	Max. Resolution	1280 × 960	
	Min. Illumination	B/W : 0.001 lux @ (F1.0 , AGC On)	
	Focal Length	6.4mm	
	Field of View	36 °×27 °	
	Min. Working Distance	2m	
System	Bi-spectrum image fusion	Support	
	Pedestrian detection	Support	
	Intelligent lane marking	Support	
	Palettes	Black hot, white hot, green hot	
	Uniformity Correction	Support shutterless technology	
	Intelligent deicing	Support	
	Digital Zoom	1X, 2X	
Integration	General Plug	Aviation plug	
	Video Output Format	CCIR	
	Analog Video Output	Support	
General	Menu	English	
	Power	DC12V	
	Work Temperature	From -40 °C to 55 °C (-40 °F to 131 °F)	
	Protection Level	IP67	
	Dimension (L x W x H)	101.1mm × 99.1mm × 65.5mm (3.98'' × 3.9'' × 2.58'')	
	Weight	550g (1.21lb)	
	Accessory	Video Cable (4 m/13.1'), Power Cord (1.5 m/4.9'), Cigar Light Cable (1.5 m/4.9'), Cable Clamp (large), Cable Clamp (small), Wrench, Hex Wrench, Mount Screw, Self-tapping Screw, Disassembling Tool, Cloth	
Screen	Resolution	800×480 LCD	
	Power	9~36V by automobile cigar lighter plug, support anti-reverse connection protection	
	Work Temperature	From -20 °C to 55 °C (-4 °F to 131 °F)	
	Mounting	UNC 1/4''-20	
	Dimension (L x W x H)	192.3mm × 35mm × 136.3mm (7.57'' × 1.38'' × 5.37'')	
	Weight	660g (1.46lb)	
	Hardware Interface	One power interface, one data input interface	

Wide Range Coverage for Different Specifications

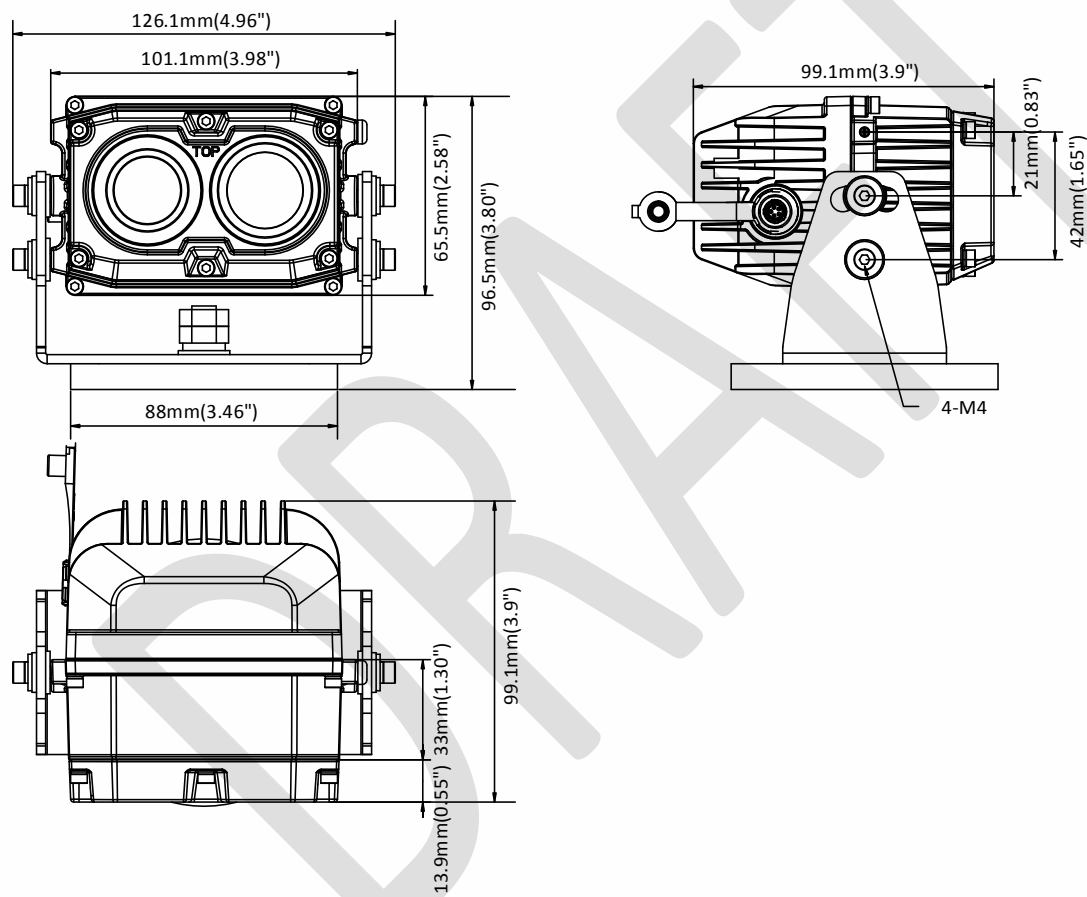
Note: The table below is only for reference, the performance varies from model to model, and the specific data is based on 17 μm pixel space-between.

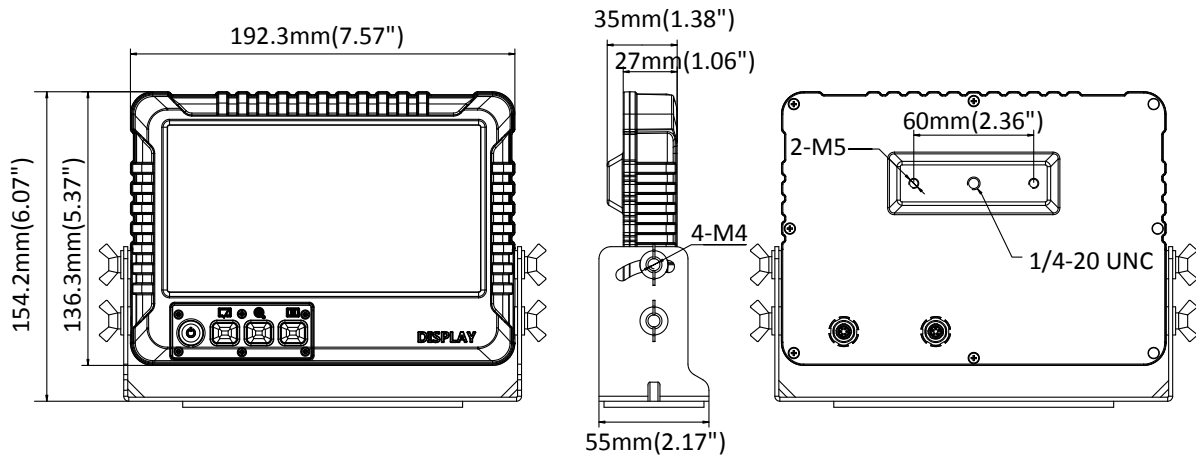
Detection Range	Detection Range	Recognition Range	Recognition Range	Identification Range	Identification Range
-----------------	-----------------	-------------------	-------------------	----------------------	----------------------

Order Models

DS-2TV13-10ZI

Dimensions





Distributed by



HIKVISION®

Headquarters

No.555 Qianmo Road, Binjiang District,
Hangzhou 310051, China
T +86-571-8807-5998
overseasbusiness@hikvision.com

Hikvision USA
T +1-909-895-0400
sales.usa@hikvision.com

Hikvision Australia
T +61-2-8599-4233
salesau@hikvision.com

Hikvision India
T +91-22-28469900
sales@pramahikvision.com

Hikvision Canada
T +1-866-200-6690
sales.canada@hikvision.com

Hikvision Thailand
T +662-275-9949
sales.thailand@hikvision.com

Hikvision Europe
T +31-23-5542770
sales.eu@hikvision.com

Hikvision Italy
T +39-0438-6902
info.it@hikvision.com

Hikvision Brazil
T +55 11 3318-0050
Latam.support@hikvision.com

Hikvision Turkey
T +90 [216]521 7070- 7074
sales.tr@hikvision.com

Hikvision Malaysia
T +601-7652-2413
sales.my@hikvision.com

Hikvision UK & Ireland
T +01628-902140
sales.uk@hikvision.com

Hikvision South Africa
Tel: +27 (10) 0351172
sale.africa@hikvision.com

Hikvision France
T +33(0)1-85-330-450
info.fr@hikvision.com

Hikvision Kazakhstan
T +7-727-9730667
nikia.panfilov@hikvision.ru

Hikvision Vietnam
T +84-974270888
sales.vt@hikvision.com

Hikvision UAE
T +971-4-4432090
salesme@hikvision.com

Hikvision Singapore
T +65-6684-4718
sg@hikvision.com

Hikvision Spain
T +34-91-737-16-55
info.es@hikvision.com

Hikvision Tashkent
T +99-87-1238-9438
uzb@hikvision.ru

Hikvision Hong Kong
T +852-2151-1761
info.hk@hikvision.com

Hikvision Russia
T +7-495-669-67-99
saleru@hikvision.com

Hikvision Korea
T +82-(0)31-731-8817
sales.korea@hikvision.com

Hikvision Poland
T +48-22-460-01-50
info.pl@hikvision.com

Hikvision Indonesia
T +62-21-2933759
Sales.Indonesia@hikvision.com

Hikvision Colombia
sales.colombia@hikvision.com