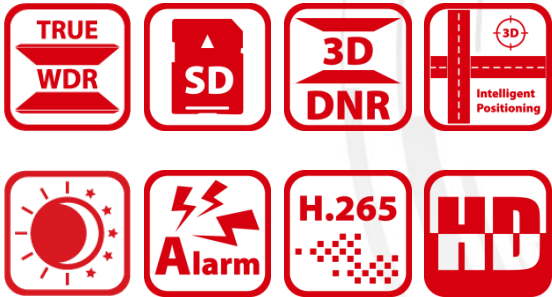


DS-2DY9250X-A (D) 2MP 50× Network Positioning System



Hikvision DS-2DY9250X-A 2MP 50× Network Positioning System adopts 1/2.8" progressive scan CMOS chip. With the 50× optical zoom lens, the camera offers more details over expansive areas.

This series of cameras can be widely used for wide ranges of high-definition, such as the rivers, forests, roads, railways, airports, ports, squares, parks, scenic spots, stations and large venues, etc.

Key Features

- 1/2.8" progressive scan CMOS
- Up to 1920 × 1080 resolution
- Min. illumination:
Color: 0.01 Lux @(F1.8, AGC ON)
B/W: 0.001 Lux @(F1.8, AGC ON)
- 50× optical zoom, 16× digital zoom
- 120 dB WDR, 3D DNR, HLC, BLC, OIS
- 24 VAC
- Support H.265+/H.265 video compression



Specification

Camera Module	
2MP 50× Network Positioning System	
Image Sensor	1/2.8" progressive scan CMOS
Min. Illumination	Color: 0.01 Lux @(F1.8, AGC ON) B/W: 0.001 Lux @(F1.8, AGC ON)
White Balance	Auto/Manual/ATW (Auto-tracing White Balance)/ Indoor/Outdoor/Fluorescent lamp/Sodium lamp
AGC	Auto/Manual
Shutter Time	1/1 s to 1/30,000 s
Day & Night	IR Cut Filter
Digital Zoom	16×
Privacy Mask	24 programmable polygon privacy masks, mask color or mosaic configurable
Focus Mode	Auto/Semi-automatic/Manual
WDR	120 dB WDR
Lens	
Focal Length	6.6 mm to 330 mm, 50× Optical
Zoom Speed	Approx. 4.5 s (optical lens, wide-tele)
FOV	Horizontal field of view: 41.3° to 1.1° (wide-tele) Vertical field of view: 23.6° to 0.6° (wide-tele) Diagonal field of view: 47.4° to 1.3° (wide-tele)
Working Distance	10 mm to 1500 mm (wide-tele)
Aperture Range	F1.8 to F5.5
PTZ	
Movement Range (Pan)	360° endless
Pan Speed	Configurable, from 0.1°/s to 100°/s, Preset Speed: 50°/s
Movement Range (Tilt)	From -90° to 40° (auto-flip)
Tilt Speed	Configurable, from 0.1°/s to 50°/s, Preset Speed: 100°/s
Proportional Zoom	Yes
Presets	300
Patrol Scan	8 patrols, up to 32 presets for each patrol
Pattern Scan	4 pattern scans, record time over 10 minutes for each scan
Power-off Memory	Yes
Park Action	Preset/Pattern Scan/Patrol Scan/Auto Scan/Tilt Scan/Random Scan/Frame Scan/Panorama Scan
PTZ Position Display	ON/OFF
Preset Freezing	Yes
Scheduled Task	Preset/Pattern Scan/Patrol Scan/Auto Scan/Tilt Scan/Random Scan/Frame Scan/Panorama Scan/Dome Reboot/Dome Adjust/Aux Output
Compression Standard	
Video Compression	Main Stream: H.265+/H.265/H.264+/H.264 Sub-Stream: H.265/H.264/MJPEG Third Stream: H.265/H.264/MJPEG
H.264 Type	Baseline Profile/Main Profile/High Profile
H.264+	Yes
H.265 Type	Main Profile
H.265+	Yes
Video Bitrate	32 kbps to 16384 kbps
Audio Compression	G.711alaw/G.711ulaw/G.722.1/G.726/MP2L2/PCM
Audio Bitrate	64Kbps(G.711)/16Kbps(G.722.1)/16Kbps(G.726)/32-160Kbps(MP2L2)
Smart Feature	
Smart Detection	Face Detection, Intrusion Detection, Line Crossing Detection, Audio Exception Detection, Region Entrance Detection, Region Exiting Detection
ROI encoding	Main stream, sub-stream and third stream respectively support eight fixed areas.
Smart Record	ANR (Automatic Network Replenishment), Dual-VCA
Image	

Max. Resolution	1920 × 1080
Main Stream	50Hz: 25fps (1920 × 1080, 1280 × 960, 1280 × 720) 50fps (1920 × 1080, 1280 × 960, 1280 × 720) 60Hz: 30fps (1920 × 1080, 1280 × 960, 1280 × 720) 60fps (1920 × 1080, 1280 × 960, 1280 × 720)
Sub-Stream	50Hz: 25fps (704 × 576, 640 × 480, 352 × 288) 60Hz: 30fps (704 × 480, 640 × 480, 352 × 240)
Third Stream	50Hz: 25fps (1920 × 1080, 1280 × 960, 1280 × 720, 704 × 576, 640 × 480, 352 × 288) 60Hz: 30fps (1920 × 1080, 1280 × 960, 1280 × 720, 704 × 480, 640 × 480, 352 × 240)
Image Enhancement	HLC/BLC/3D DNR/Defog/OIS/Regional Exposure/Regional Focus
SVC	Yes
Network	
Network Storage	Built-in memory card slot, support Micro SD/SDHC/SDXC, up to 256 GB; NAS (NFS, SMB/CIFS), ANR
Alarm Linkage	Alarm actions, such as Preset, Patrol Scan, Pattern Scan, Memory Card Video Record, Trigger Recording, Notify Surveillance Center, Upload to FTP/Memory Card/NAS, Send Email, etc.
Protocols	IPv4/IPv6, HTTP, HTTPS, 802.1x, Qos, FTP, SMTP, UPnP, SNMP, DNS, DDNS, NTP, RTSP, RTCP, RTP, TCP/IP, DHCP, PPPoE, Bonjour
API	ONVIF (Profile S, Profile G, Profile T), ISAPI, SDK
Simultaneous Live View	Up to 20 channels
User/Host	Up to 32 users. 3 levels: Administrator, Operator and User
Security Measures	User authentication (ID and PW), Host authentication (MAC address); HTTPS encryption; IEEE 802.1x port-based network access control; IP address filtering
Client	iVMS-4200, iVMS-5200
Web Browser	IE 8 to 11, Chrome 31.0+, Firefox 30.0+, Edge 16.16299+, Safari 11+
Interface	
Audio	1-ch audio input/1-ch audio output
Network Interface	1 RJ45 10 M/100 M Ethernet Interface
Alarm	7-ch alarm input/2-ch alarm output
RS-485	Half duplex, HIKVISION, Pelco-P, Pelco-D, self-adaptive
Fiber Cable	1 1000 M FC interface, TX1310/ RX1550 nm wavelength, 20 km transmission distance
BNC	1.0 V [p-p]/75 Ω, NTSC (or PAL) composite, BNC
General	
Language (Web Browser Access)	32 languages. English, Russian, Estonian, Bulgarian, Hungarian, Greek, German, Italian, Czech, Slovak, French, Polish, Dutch, Portuguese, Spanish, Romanian, Danish, Swedish, Norwegian, Finnish, Croatian, Slovenian, Serbian, Turkish, Korean, Traditional Chinese, Thai, Vietnamese, Japanese, Latvian, Lithuanian, Portuguese (Brazil)
Power	24 VAC. Max. 70 W, including max. 31 W for heater
Working Environment	Temperature: Outdoor: -40°C to 70°C (-40°F to 158°F) Humidity: ≤ 95%
Protection Level	IP66 Standard; 6000V Lightning Protection, Surge Protection and Voltage Transient Protection
Material	Aluminum alloy ADC12
Dimensions	Φ390 mm × 491 mm (Φ 15.35" × 19.33")
Weight	Approx. 11 kg (24.25 lb)

DORI

The DORI (detect, observe, recognize, identify) distance gives the general idea of the camera ability to distinguish persons or objects within its field of view.

It is calculated based on the camera sensor specification and the criteria given by EN 62676-4: 2015.

DORI	Detect	Observe	Recognize	Identify
------	--------	---------	-----------	----------

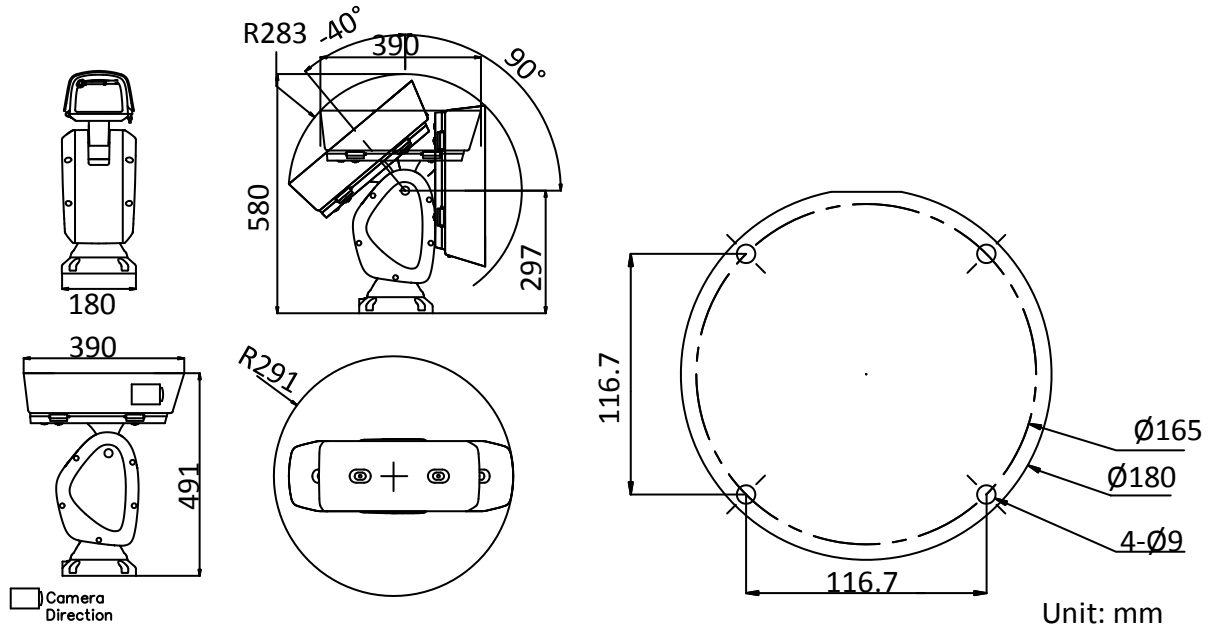
Definition	25 px/m	63 px/m	125 px/m	250 px/m
Distance (Tele)	4137.9 m (13575.9 ft)	1642 m (5387.3 ft)	827.6 m (2715.2 ft)	413.8 m (1357.6 ft)

Order Model

DS-2DY9250X-A (D), 24 VAC

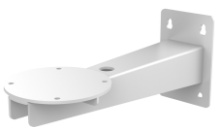
**You are recommended to purchase memory card together with the product if needed. After ordering, the memory card will be installed to product during manufacturing.*

Dimensions



Accessory

Optional



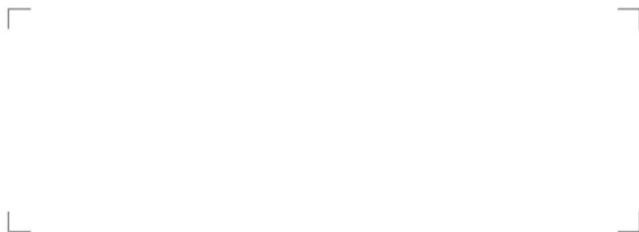
DS-1693ZJ
Wall Mounting Bracket



MKAC-96-248000V (UK)
MKAC-96-248000V (EU)
MKAC-96-248000U (US)
Power Adapter



Distributed by

**HIKVISION®****Headquarters**

No.555 Qianmo Road, Binjiang District,
Hangzhou 310051, China
T +86-571-8807-5998
overseasbusiness@hikvision.com

Hikvision USA
T +1-909-895-0400
sales.usa@hikvision.com

Hikvision Australia
T +61-2-8599-4233
salesau@hikvision.com

Hikvision India
T +91-22-28469900
sales@pramahikvision.com

Hikvision Canada
T +1-866-200-6690
sales.canada@hikvision.com

Hikvision Thailand
T +662-275-9949
sales.thailand@hikvision.com

Hikvision Europe
T +31-23-5542770
sales.eu@hikvision.com

Hikvision Italy
T +39-0438-6902
info.it@hikvision.com

Hikvision Brazil
T +55 11 3318-0050
Latam.support@hikvision.com

Hikvision Turkey
T +90 (216)521 7070- 7074
sales.tr@hikvision.com

Hikvision Malaysia
T +601-7652-2413
sales.my@hikvision.com

Hikvision UK & Ireland
T +01628-902140
sales.uk@hikvision.com

Hikvision South Africa
Tel: +27 (10) 0351172
sale.africa@hikvision.com

Hikvision France
T +33(0)1-85-330-450
info.fr@hikvision.com

Hikvision Kazakhstan
T +7-727-9730667
nikia.panfilov@hikvision.ru

Hikvision Vietnam
T +84-974270888
sales.vt@hikvision.com

Hikvision UAE
T +971-4-4432090
salesme@hikvision.com

Hikvision Singapore
T +65-6684-4718
sg@hikvision.com

Hikvision Spain
T +34-91-737-16-55
info.es@hikvision.com

Hikvision Tashkent
T +99-87-1238-9438
uzb@hikvision.ru

Hikvision Hong Kong
T +852-2151-1761
info.hk@hikvision.com

Hikvision Russia
T +7-495-669-67-99
saleru@hikvision.com

Hikvision Korea
T +82-[0]31-731-8817
sales.korea@hikvision.com

Hikvision Poland
T +48-22-460-01-50
info.pl@hikvision.com

Hikvision Indonesia
T +62-21-2933759
Sales.Indonesia@hikvision.com

Hikvision Colombia
sales.colombia@hikvision.com