

DS-KIS703-P

Video Intercom Two-Wire Bundle

HIKVISION



Security
WHOLESALEERS

Key Feature

Two-Wire Indoor Station

- Easy, Cost-Efficient Installation
- 7 inch Touch-Screen, User Friendly Interface, Plug & Play
- Receives Video Call And Unlocks On Mobile App Anywhere, Anytime

Villa Door Station

- High quality imaging with 2 MP resolution
- Easy, Cost-Efficient Installation
- User Friendly Design, Name tag, Communication status LED indicator
- IP65 water resistant, preventing water ingress for outdoor use

Specification

Two-Wire Villa Door Station

System parameters

Operation system	Embedded Linux operation system
Operation method	Single-button
Flash	32 MB
RAM	256 M

Video Parameters

Camera	2MP HD camera
Night vision	Low illumination IR supplement mode:3 m
BLC	Support
DNR	Support
WDR	True WDR
Field of view	Horizontal: 144° Vertical: 95°
Video compression standard	H.264
Stream	Main stream: 1080p@30fps, 720p@30fps Sub stream: 4CIF
Resolution	Main stream: 1920 × 1080p, 720p Sub stream: 704 × 576
Motion detection	Support
Anti-flicker frequency	50 Hz, 60 Hz

Audio parameters

Audio intercom	Two-way audio communication
Audio input	Built-in omnidirectional microphone
Audio output	Built-in loudspeaker
Audio compression standard	G.711 U, G.711 A
Audio compression Rate	64 Kbps
Audio quality	Noise suppression and echo cancellation

Network parameters

Wired network	10/100 Mbps Ethernet
Network protocol	TCP/IP, RSTP

Access control parameters

Reading frequency	Not supported
Relay	2

Interfaces

Output	12 V/1 A output
Debugging port	1
Alarm input	2
Grounding	1
Two-wire interface	1
TAMPER switch	1

General

Protection level	IP65
Indicator	3
Power supply	From indoor station

Power consumption	< 10 W
Heater	Support
Working temperature	-40° C to +60° C (-40° F to 140° F)
Working humidity	10% to 95%
Dimension	169 × 110 × 31 mm (6.54" × 4.33" × 1.22")
Installation	Surface mounting, flush mounting
Weight	476 g

Indoor Station

System parameters

Memory	128 MB
Flash	32 MB
Operation system	Embedded Linux operation system

Display parameters

Display screen	7-inch TFT touch screen
Display resolution	1024 × 600
Operation method	Capacitive touch screen
Brightness	Adjustable

Audio parameters

Audio input	Built-in microphone
Audio output	Built-in loudspeaker
Volume	Local adjustable
Audio compression standard	G.711 U, G.711 A
Audio quality	Noise suppression and echo cancellation

Network parameters

Wired network	10/100 Mbps self-adaptive
Wireless network	Wi-Fi 802.11 b/g/n

Interfaces

Two-wire interface	1
Alarm input	8
Debugging port	1 channel reserved
RS485	1

General

Power supply	24 VDC
Power consumption	≤ 8 W
Working temperature	-10 °C to 55 °C (14 °F to 131 °F)
Working humidity	10% to 90%
Dimension	200 × 140 × 23.6 mm (7.87" × 5.51" × 0.93")
Weight	334.5 g

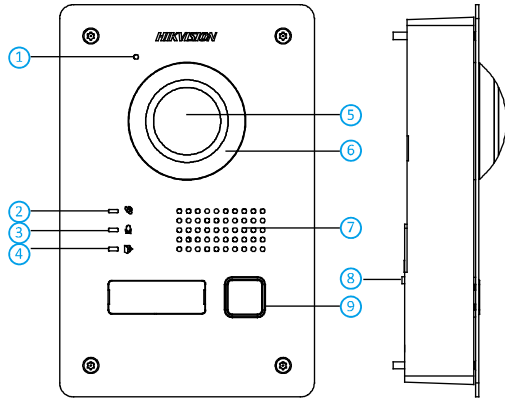
Available Model

DS-KIS703-P

Appearance and Interfaces

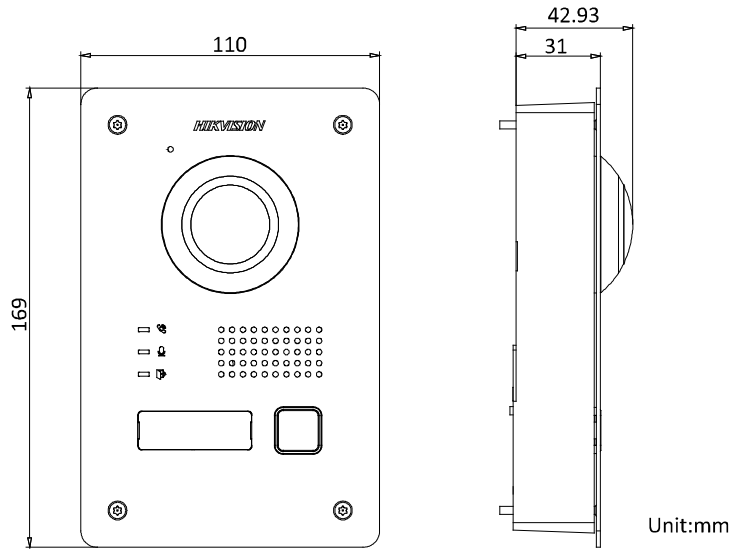
Dimension

Two-Wire Villa Door Station



No.	Description	No.	Description
1	Microphone	6	Supplement Light
2	Calling Indicator	7	Loudspeaker
3	Speaking Indicator	8	TAMPER
4	Open Door Indicator	9	Call Button
5	Built-in Camera		

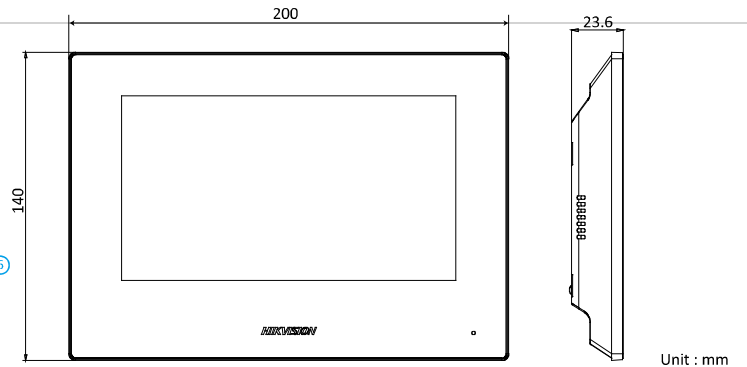
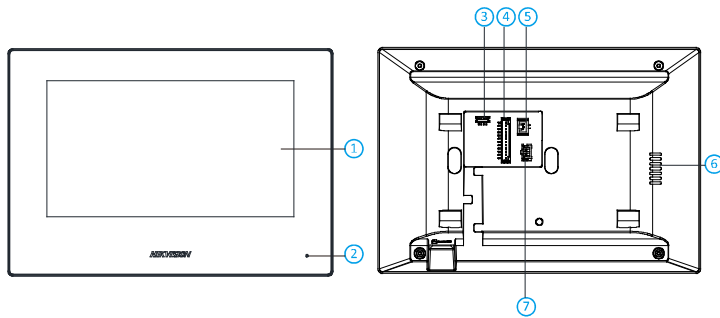
Two-Wire Villa Door Station



Unit:mm

Two-Wire Indoor Station

Two-Wire Indoor Station



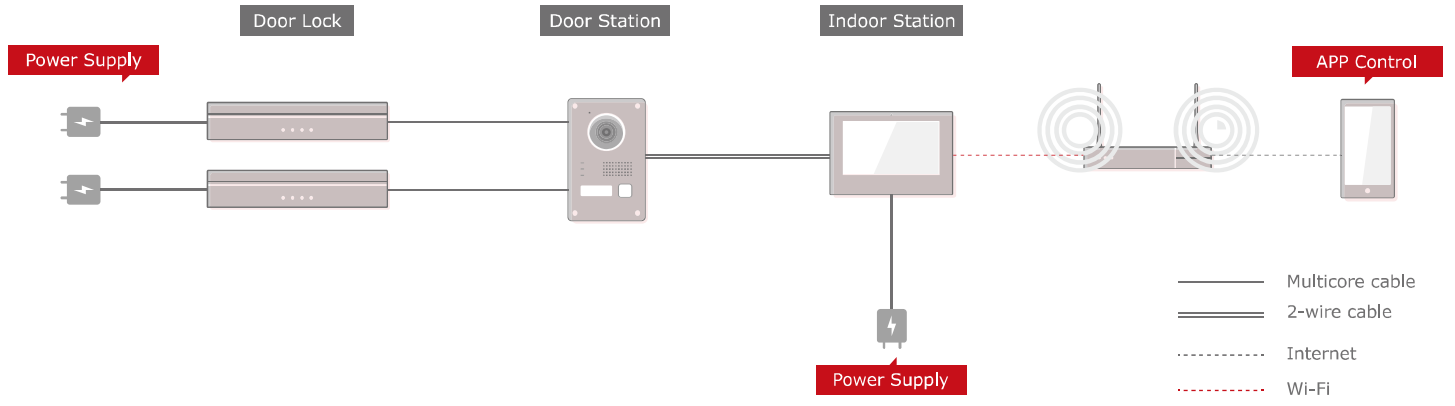
Unit : mm

No.	Description	No.	Description
1	Display Screen	5	Two-Wire Interface
2	Microphone	6	Loudspeaker
3	Debugging Port	7	Power Supply Interface
4	Alarm Terminal		

Note: The debugging port is used for debugging only.



Typical Application



Distributed by

**HIKVISION®****Headquarters**

No.555 Qianmo Road, Binjiang District,
Hangzhou 310051, China
T +86-571-8807-5998
overseasbusiness@hikvision.com

Hikvision USA
T +1-909-895-0400
sales.usa@hikvision.com

Hikvision Australia
T +61-2-8599-4233
salesau@hikvision.com

Hikvision India
T +91-22-28469900
sales@pramahikvision.com

Hikvision Canada
T +1-866-200-6690
sales.canada@hikvision.com

Hikvision Thailand
T +662-275-9949
sales.thailand@hikvision.com

Hikvision Europe
T +31-23-5542770
sales.eu@hikvision.com

Hikvision Italy
T +39-0438-6902
info.it@hikvision.com

Hikvision Brazil
T +55 11 3318-0050
Latam.support@hikvision.com

Hikvision Turkey
T +90 [216]521 7070- 7074
sales.tr@hikvision.com

Hikvision Malaysia
T +601-7652-2413
sales.my@hikvision.com

Hikvision UK & Ireland
T +01628-902140
sales.uk@hikvision.com

Hikvision South Africa
Tel: +27 (0)1 0351172
sale.africa@hikvision.com

Hikvision France
T +33(0)1-85-330-450
info.fr@hikvision.com

Hikvision Kazakhstan
T +7-727-9730667
nikia.panfilov@hikvision.ru

Hikvision Vietnam
T +84-974270888
sales.vt@hikvision.com

Hikvision UAE
T +971-4-4432090
salesme@hikvision.com

Hikvision Singapore
T +65-6684-4718
sg@hikvision.com

Hikvision Spain
T +34-91-737-16-55
info.es@hikvision.com

Hikvision Tashkent
T +99-87-1238-9438
uzb@hikvision.ru

Hikvision Hong Kong
T +852-2151-1761
info.hk@hikvision.com

Hikvision Russia
T +7-495-669-67-99
saleru@hikvision.com

Hikvision Korea
T +82-(0)31-731-8817
sales.korea@hikvision.com

Hikvision Poland
T +48-22-460-01-50
info.pl@hikvision.com

Hikvision Indonesia
T +62-21-2933759
Sales.Indonesia@hikvision.com

Hikvision Colombia
sales.colombia@hikvision.com